



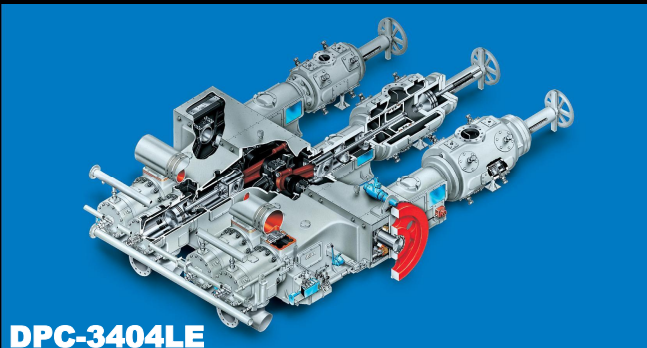
**CAMERON**

ENERGY PROCESS SERVICES

Cameron Compression is pleased to announce that Energy Process Services Pty Ltd (EPS) has been appointed an Authorised Distributor for Ajax and Superior units and aftermarket parts and service for Australia and New Zealand.

Both Cameron and EPS look forward to serving your needs for both new compressor sales or lease packages and after sales support. EPS also provides field operations and maintenance, including technical training for owner operators.

**EPS provides the most reliable and cost effective compression systems for companies with coal seam gas and conventional oil and gas production and pipeline transportation requirements.**



**DPC-3404LE**

**Ajax Integral Engine-Compressor**

Cameron Compression Systems, headquartered in Houston, Texas is a leading global provider of centrifugal and reciprocating compression equipment and aftermarket parts and services for the oil and gas production, gas transmission, and process industries.

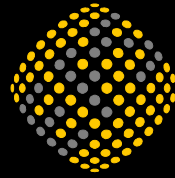
Through its **AJAX** range of integral engine-compressors and **SUPERIOR** high speed separables, Cameron is capable of handling all reciprocating compressor applications up to 9,000 hp.

Complete packages can be supplied in accordance with Australian standards either from the Oklahoma City packaging facility or in association one of Cameron's authorised packagers.

**Sales and enquiries**

Brisbane Office Tel: 07 3391 1369 Fax: 07 3391 1569

Guy Hodgson [guy.hodgson@energyprocess.com.au](mailto:guy.hodgson@energyprocess.com.au)  
David Robertson [dave.robertson@energyprocess.com.au](mailto:dave.robertson@energyprocess.com.au)



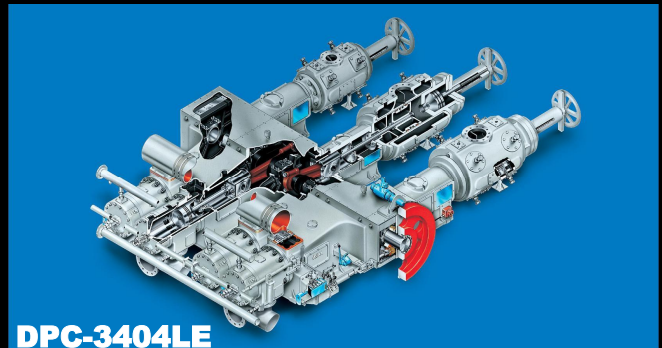
**CAMERON**

ENERGY PROCESS SERVICES

Cameron Compression is pleased to announce that Energy Process Services Pty Ltd (EPS) has been appointed an Authorised Distributor for Ajax and Superior units and aftermarket parts and service for Australia and New Zealand.

Both Cameron and EPS look forward to serving your needs for both new compressor sales or lease packages and after sales support. EPS also provides field operations and maintenance, including technical training for owner operators.

**EPS provides the most reliable and cost effective compression systems for companies with coal seam gas and conventional oil and gas production and pipeline transportation requirements.**



**DPC-3404LE**

**Ajax Integral Engine-Compressor**

Cameron Compression Systems, headquartered in Houston, Texas is a leading global provider of centrifugal and reciprocating compression equipment and aftermarket parts and services for the oil and gas production, gas transmission, and process industries.

Through its **AJAX** range of integral engine-compressors and **SUPERIOR** high speed separables, Cameron is capable of handling all reciprocating compressor applications up to 9,000 hp.

Complete packages can be supplied in accordance with Australian standards either from the Oklahoma City packaging facility or in association one of Cameron's authorised packagers.

**Sales and enquiries**

Brisbane Office Tel: 07 3391 1369 Fax: 07 3391 1569

Guy Hodgson [guy.hodgson@energyprocess.com.au](mailto:guy.hodgson@energyprocess.com.au)  
David Robertson [dave.robertson@energyprocess.com.au](mailto:dave.robertson@energyprocess.com.au)

